

Injection Mold Technology

“Coralfoam” Technology

StackTeck has added a new technology to an already broad range of products and services. This new revolutionary process was patented in July, 1995 and first exhibited at Interplas'96. Coralfoam is a novel process for producing plastic moulded components, in a conventional plastic injection-moulding machine, in which part of the component is solid and part is foamed. Typically, the mould is designed with some thin sections and some thick sections.

Coralfoam materials can expand from a 2mm thick preform to a 9mm cross-section in under 3 seconds.

Benefits:

- Utilizes conventional injection molding
- Add structural strength to thinwall products
- Add insulating properties to plastic parts
- Certain products can be produced for less cost
- Shorter cycle time than with alternative processes

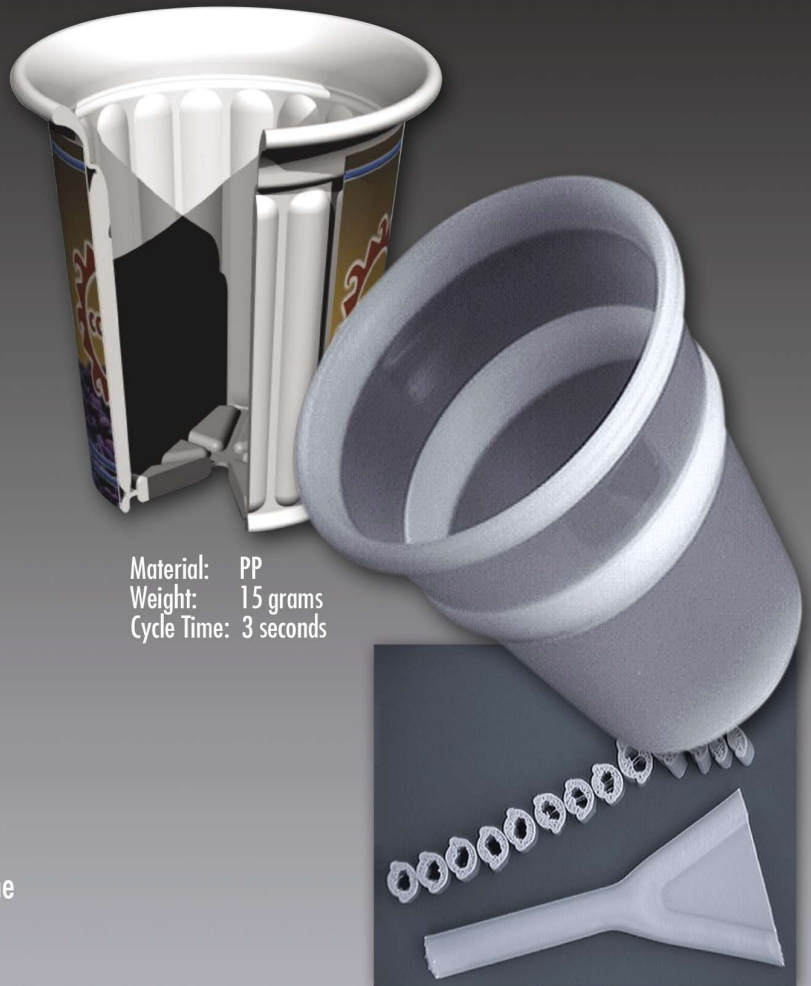
Typical applications include:

- Hangers
- Pails
- Food packaging, containers & lids used on a filling line
- Insulated mugs
- Folding crates

The Result:

- Large rim: improves hoop strength drinkable lip
- Large stacking shoulder: improves strength and telescoping resistance
- Hand friendly panels: for hot beverage

Call us today!



Material: PP
Weight: 15 grams
Cycle Time: 3 seconds



www.stackteck.com

CANADA: 1 Paget Rd., Brampton, ON, Canada L6T 5S2 Tel: 416-749-1698 Fax: 416-749-2795 E-mail: stackteck@stackteck.com

USA: 20109 Paseo del Prado, Walnut, CA, USA 91789 Tel: 909-595-2201 Fax: 909-595-2204 E-mail: sales@fairwaymolds.com